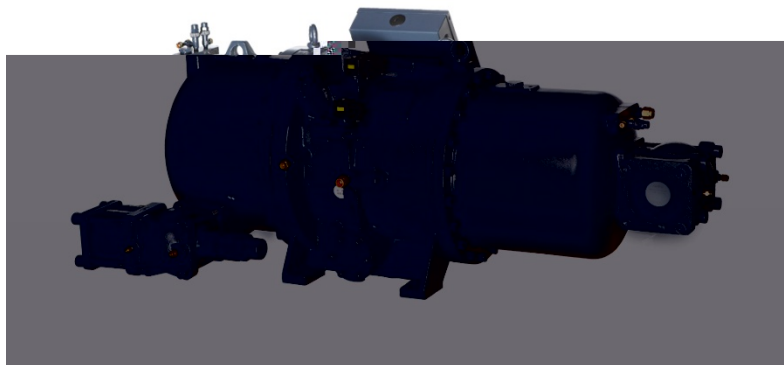


RC2G&T -À>#9©(d@Z< 0

0•;V;7)B



Hanbell	RC2-G/T		
RC2-G/T			
RC2-G-P	R134a		
	85		
RC2-T-P	R245fa		125
	RC2-G/T		



RC2

m3/h
50HZG
T

P:



:

1		10	
2		11	
3		12	
4		13	
5		14	
6		15	
7		16	
8		17	
9			

✻

RC2-G/T

75

125

20

100m³/h~930 m³/h

✻

R134a R245fa

✻

✻

RC2-G/T

()

											Bar	Kg	
	50Hz m ³ /h	50Hz r/min	Vi	(%)		(kw) 50Hz			(V) 50Hz				
RC2-100G-P	98	2950	2.2	33 66 100	33~100	40	3	380	F	PTC	38	285	
RC2-230G-P	230					90							577
RC2-260G-P	257					100	2			592			
RC2-410G-P	407			3.0	25,50,75,100	25~100	150					779	
RC2-470G-P	471			3.5			170					PT100	825
RC2-710G-P	713						250						1168
RC2-790G-P	791						270						1199



											Bar	Kg	
	50Hz m ³ /h	50Hz r/min	Vi	(%)		(kw) 50Hz			(V) 50Hz				
RC2-200T-P	193	2950	3.0	25,50,75,100	25~100	55	3		380	H	P T C	35	425
RC2-230T-P	230					60							535
RC2-260T-P	257					70							560
RC2-300T-P	293					80							600
RC2-310T-P	308					80							580
RC2-340T-P	339					90							620
RC2-370T-P	366					100							640
RC2-410T-P	407					110							740
RC2-470T-P	471					130							810
RC2-510T-P	508					3.5							

PT 100

RC2-G/T

3 /4

RC2

3 /4

RC2-200~930	25% NC	50% NC	75% NC
100%			
75%			
50%			
25%			

4.1.1 25% 33%

25% 33%

25%

25%

/

4.1.2 50% 66%

50%/66%

25%

50%/66%

50%/66%

50%/66%

4.1.3 75% RC2-100G

75%

50%

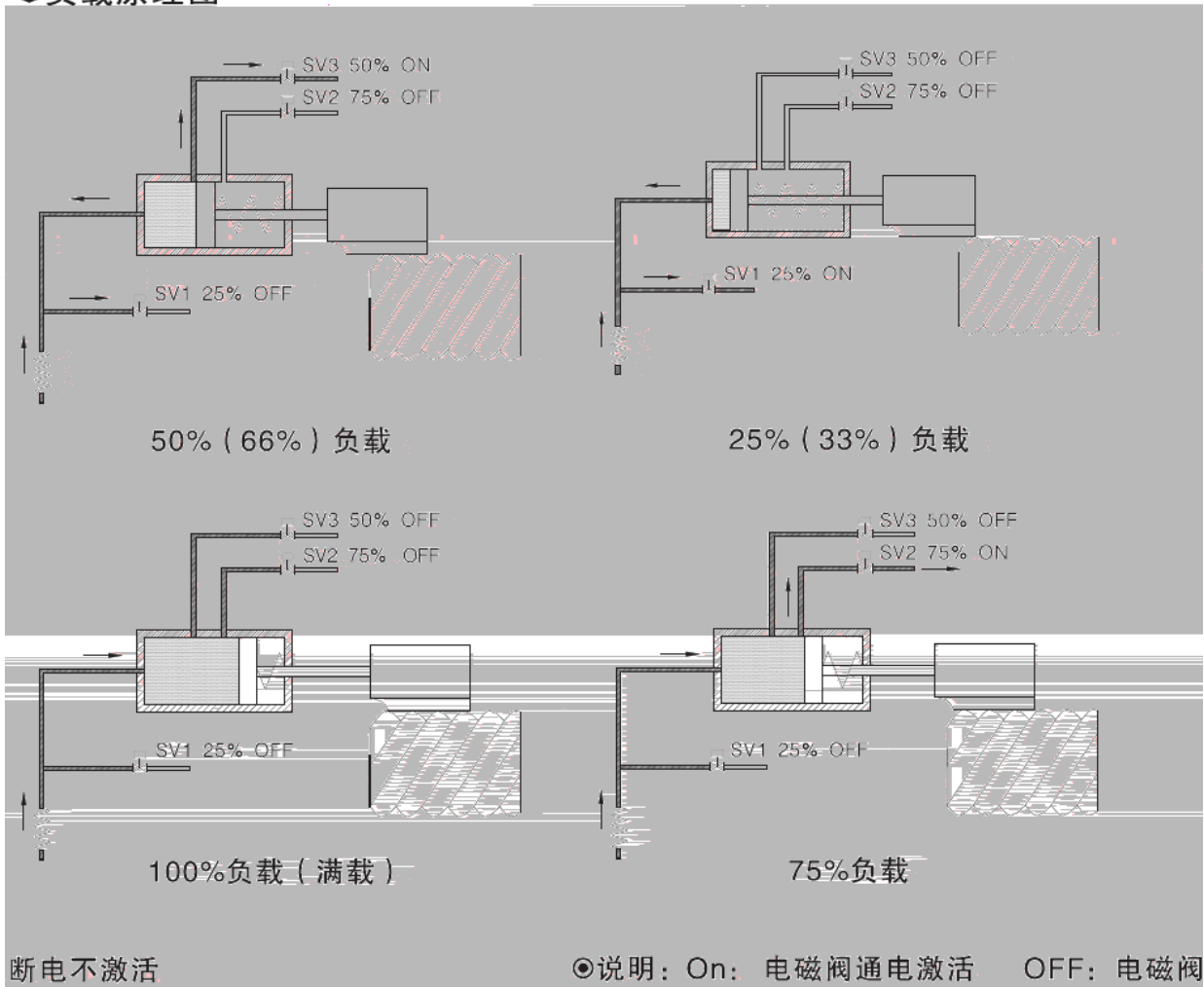
75%

75%

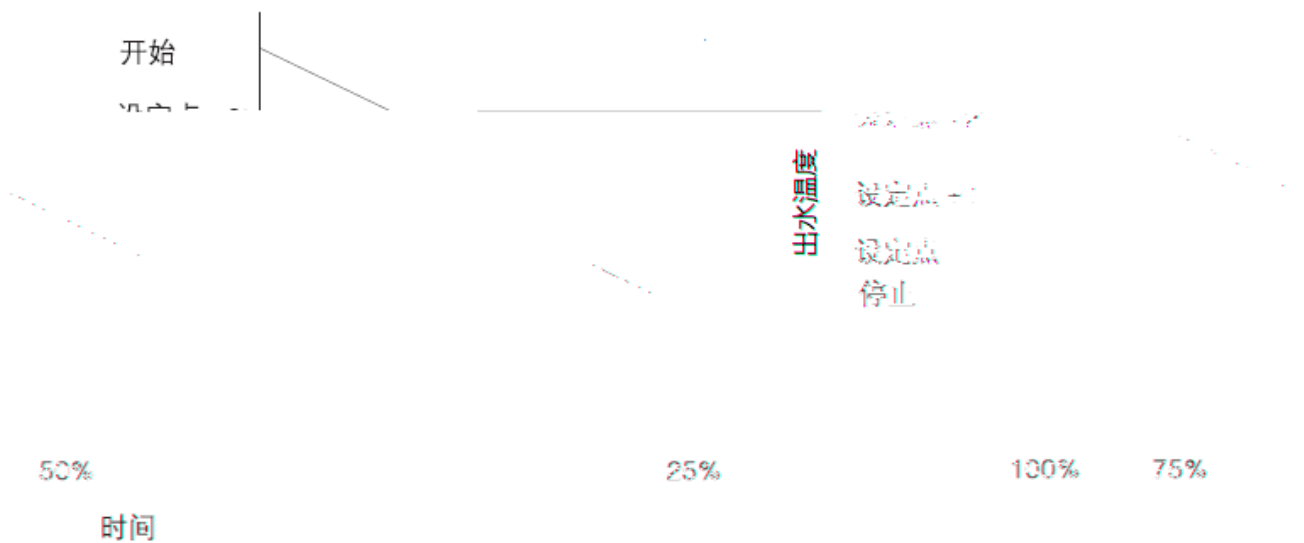
75%

4.1.4 100%

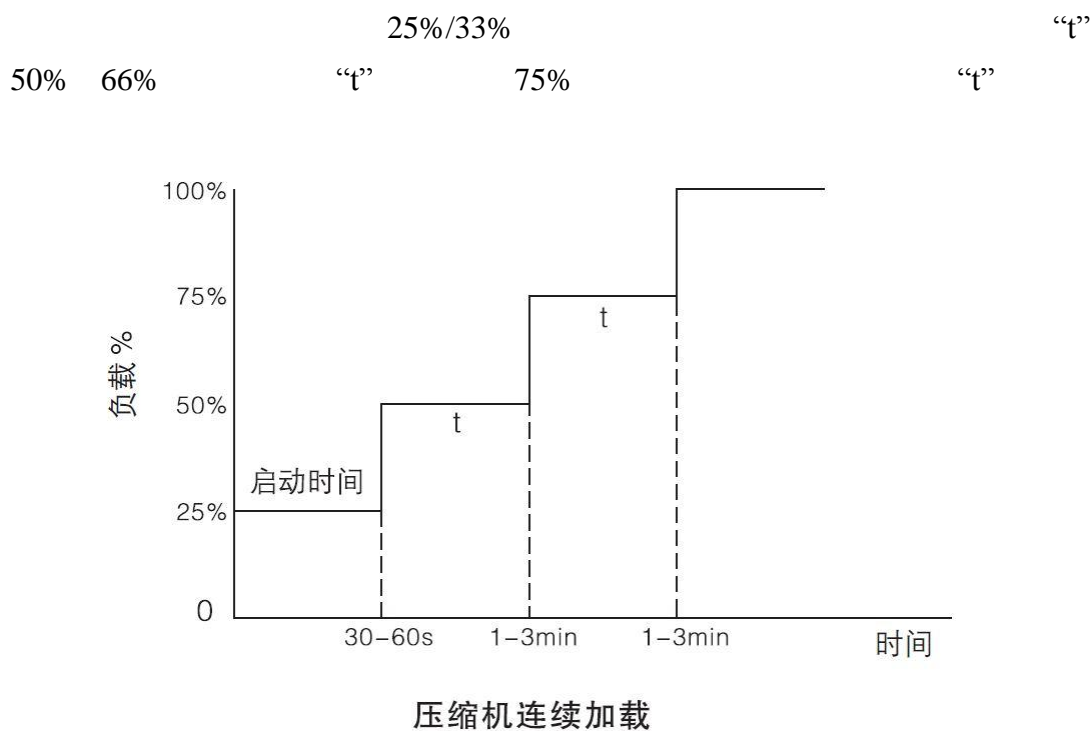
● 负载原理图



● 出水温度与容量控制曲线图



4.1.5



4.2

SV1

SV2

33%~100% RC2-100G /25%~100% RC2-200~RC2-930
SV1 SV2

1		9	
2		10	
3		11	
4		12	
5		13	
6		14	,SV1
7		15	SV2
8		16	

	SV1 NO	SV2 NC

4.2.1

SV1 SV2

SV1

4.2.2

SV1

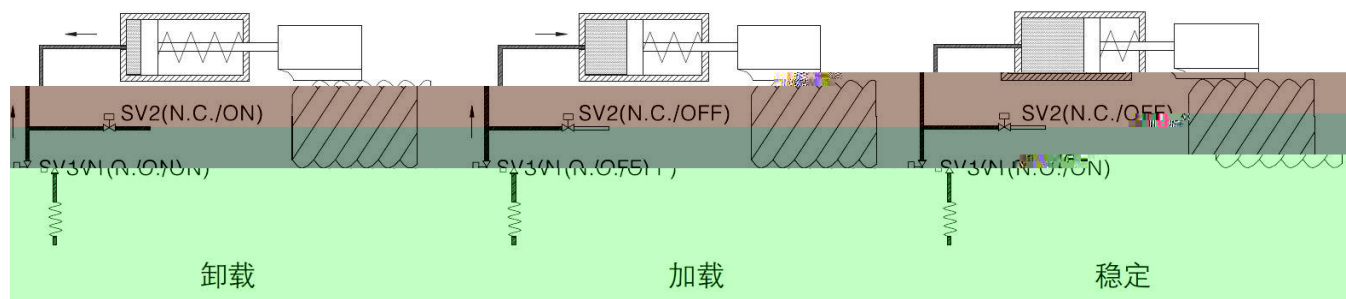
SV2

4.2.3

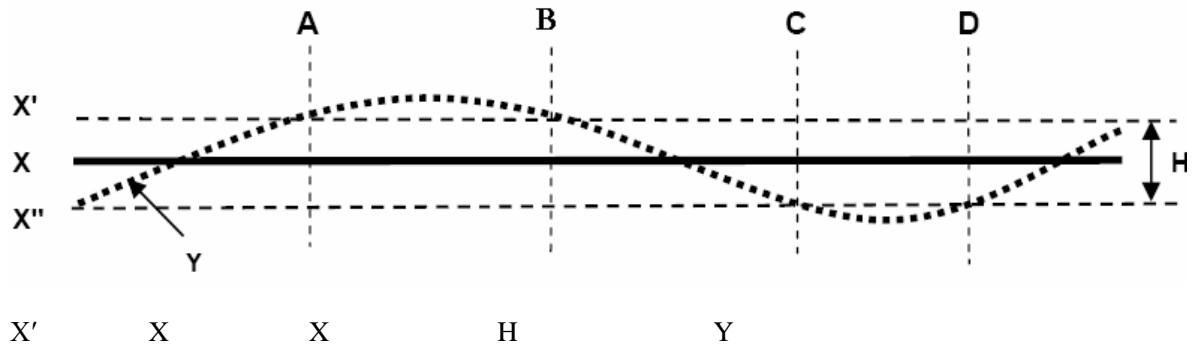
/

SV1

SV2

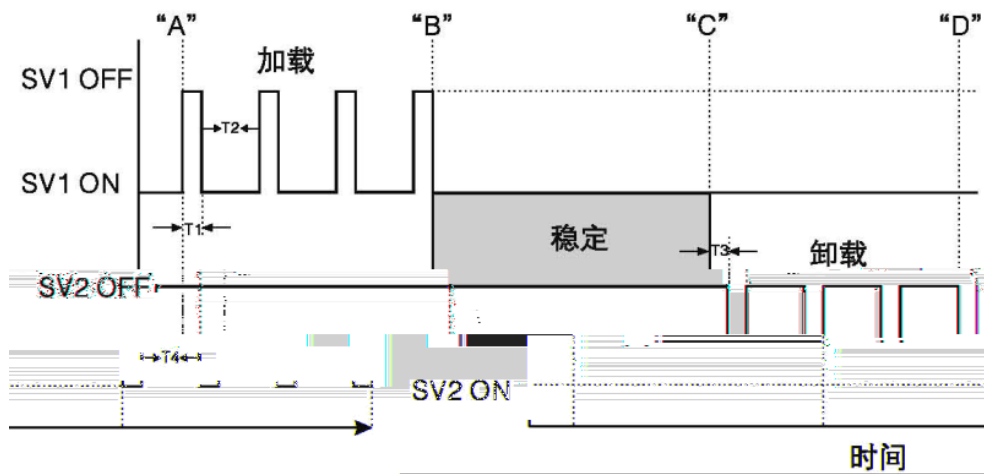


4.2.4



A B

C D



“A~B” “C~D” /

◇ ON

◇ OFF

◇ T₁ T₃ 0.5~1.5

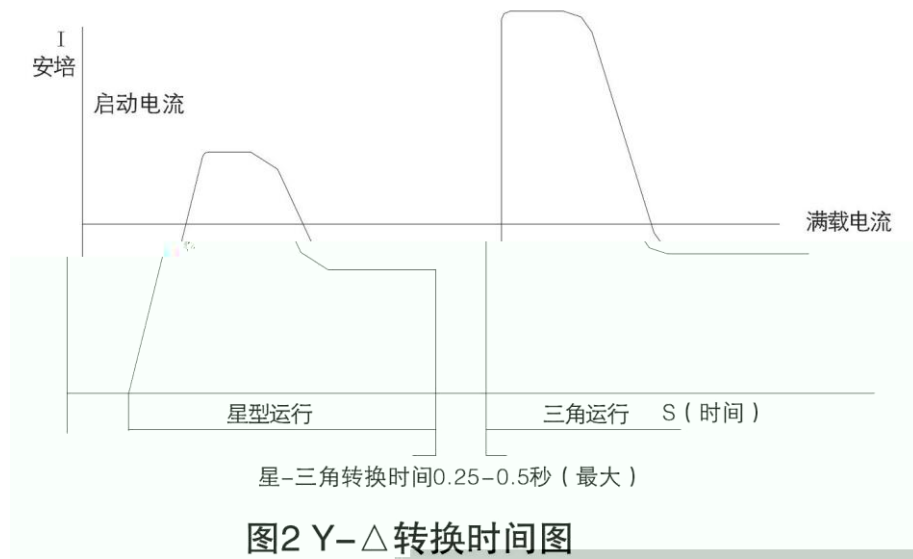
◇ T₂ T₄ 10~20

◇ HANBELL

&SV2 +

HANBELL

SV1



● Y-Δ

- 1. Y 1/3
- 2. Y 1/3
- 3.

◇ Y-Δ

Hanbell

5.2

●

◇

◇ ±5%

◇ ±10%

◇ ±2%



± 5%

●

◇ NEMA

%

✧ NEMA

1%

5%

6 10

5.3 MCC&LRA

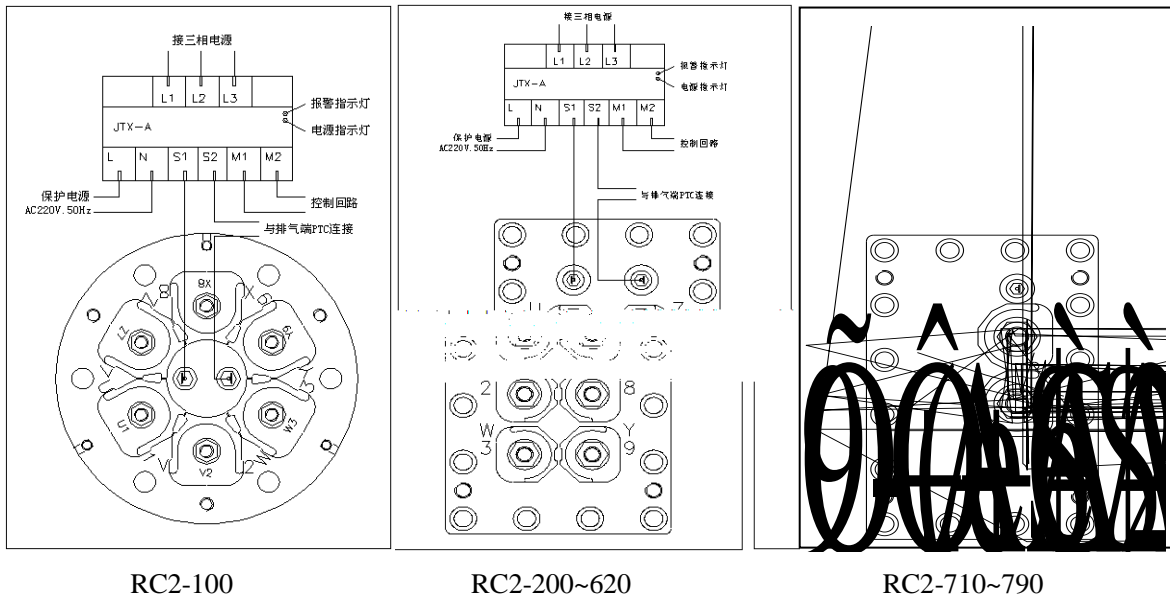
LRA

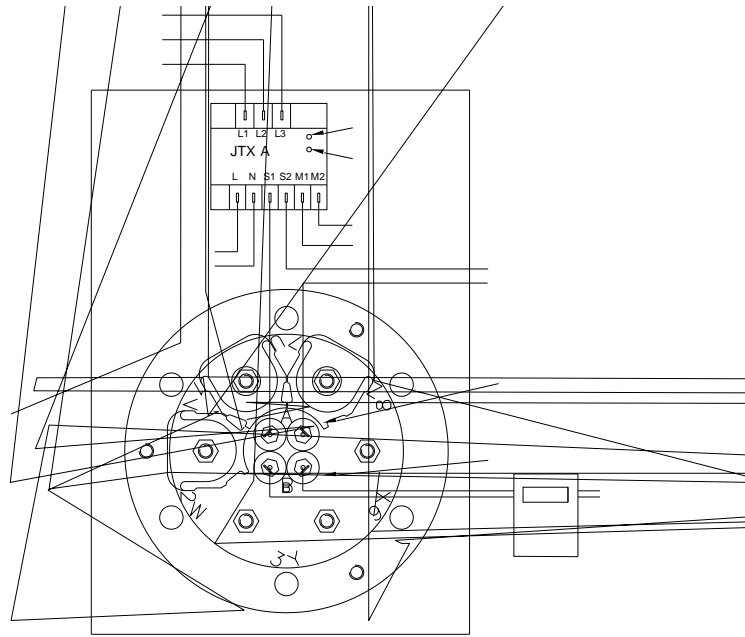
MCC

	MCC	LRA
RC2-200T-P	116	465
RC2-230T-P	150	690
RC2-260T-P	155	690
RC2-300T-P	177	780
RC2-310T-P	187	780
RC2-340T-P	204	1035
RC2-370T-P	221	1035
RC2-410T-P	247	875
RC2-470T-P	276	1220
RC2-510T-P	300	1330
RC2-550T-P	321	1330
RC2-580T-P	339	1330
RC2-620T-P	358	1510
RC2-710T-P	406	1990
RC2-790T-P	448	2230
RC2-830T-P	485	2355
RC2-930T-P	556	2625

	MCC	LRA
RC2-100G-P	79	230
RC2-230G-P	186	1035
RC2-260G-P	191	1035
RC2-410G-P	307	1510
RC2-470G-P	343	1510
RC2-710G-P	505	2625
RC2-790G-P	557	2625

380V 50Hz





RC2-G/T

		N.M
RC2-100	M8	20
RC2-200~620	M12	35
RC2-710~930	M16	50

6.2

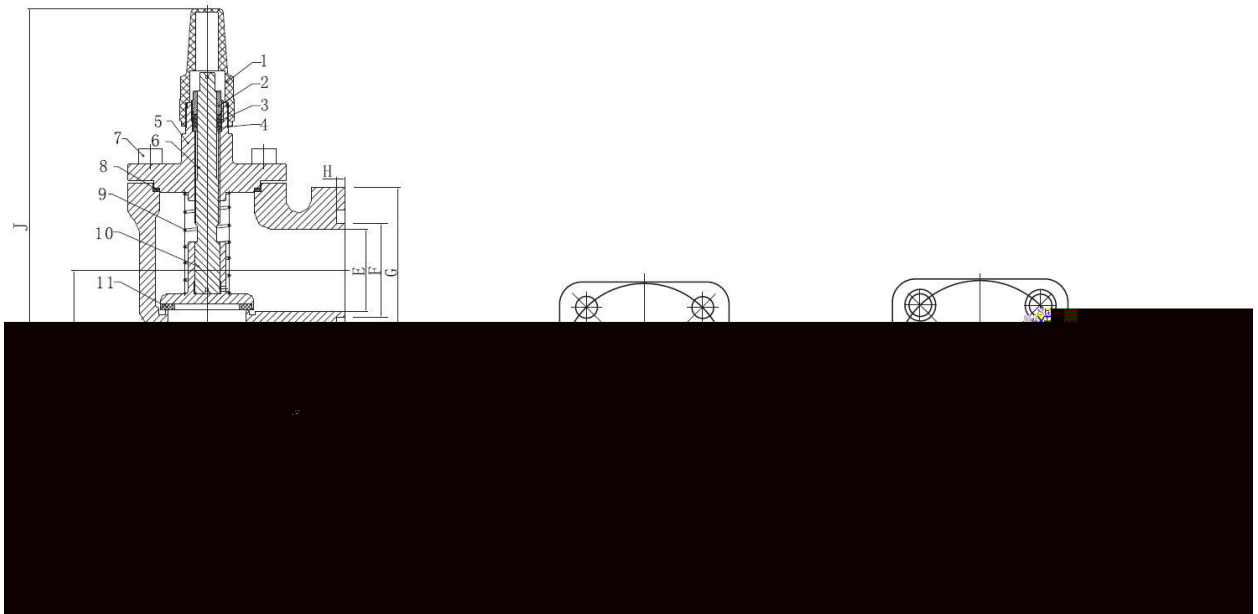
a.

b. +

Hanbell +

Hanbell

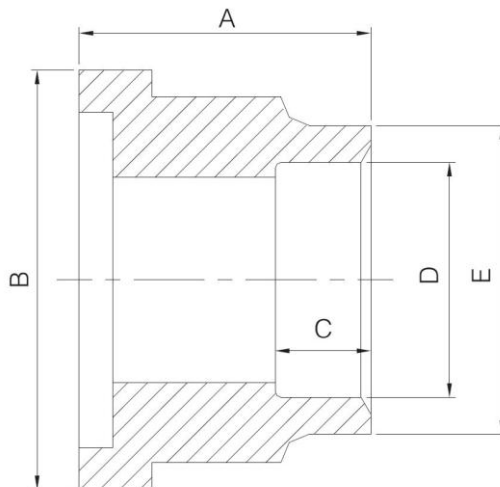
c.



规格	尺寸															
	A	B	C	D	E	F	G	H	I	J	K	L	M	N	O	P
1-1/2"	49	60	75	6	52	59	76	5	117	282	87	16	105	18	105	26
2"	63	70	90	6	63	69	91	5	123	294	92	16	120	18	120	26
2-1/2"	79	90	116	6	82	89	111	5	126	314	100	16	140	18	140	26
3"	90	100	120	6	93	99	121	5	156	374	117	20	160	22	160	31
4"	110	125	145	6	115	124	146	5	155	400	131	20	185	23	185	-

NO.	1	2	3	4	5	6	7	8	9	10	11	12
名称	帽盖	填料 螺丝	填料	填料 垫片	阀盖	阀杆	M10 内六角 螺栓	密封垫	弹簧	阀头	密封垫	阀体

d.



			A	B	C	D	E
2"	2- 1/8"	50	90	30	55	65	
	2"				61.3	74	
2-1/2"	2- 5/8"	60	110	35	68	77	
	2- 1/2"				77	90	
3"	3- 1/8"	66	120	45	80.5	90	
	3"				90.2	103	
4"	3- 5/8"	76	145	50	93	103	
	4"				110	128	
5"	4- 1/8"	80	174	35	106	121	
	5"	75			135	154	

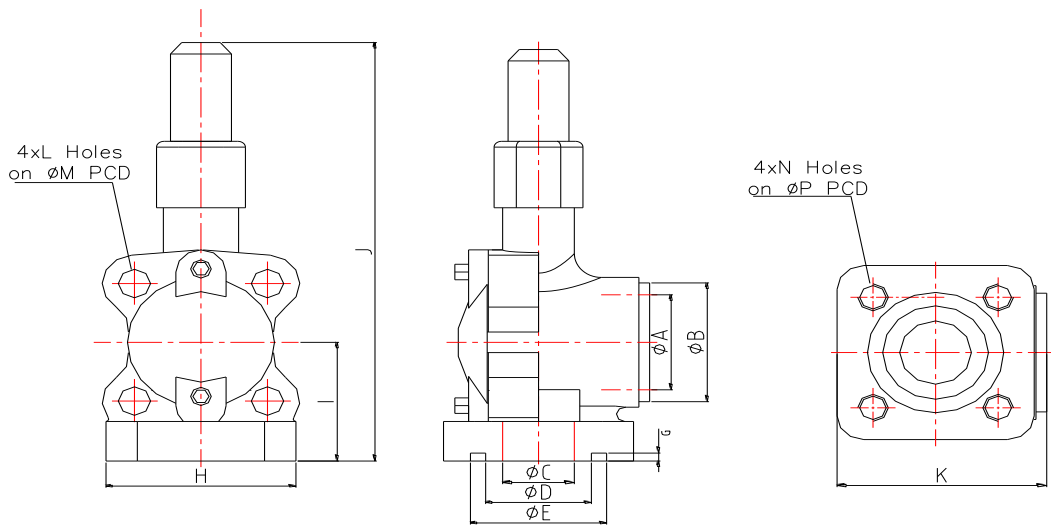
Hanbell

F

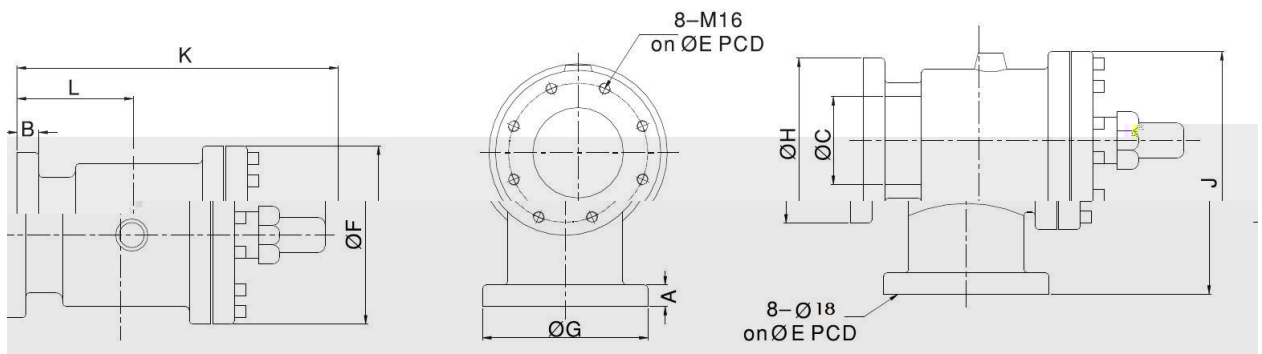
Hanbell

e.

Hanbell



mm	规格	标准尺寸											单位:	
		A	B	C	D	E	F	G	H	I	J	K	L	M
M16x2-105	1 1/2"	60	75	40	59	76	6	5	108	75	256	115	18	105
M20x2-120	2"	70	85	50	69	86	6	5	122	85	280	125	22	120
M25x2-140	2 1/2"	90	110	67	89	111	6	5	137	95	307	153	28	140
M32x2-160	3"	100	120	80	99	121	6	5	154	117	398	177	32	160
M40x2-180	4"	125	145	105	124	146	6	5	171	139	445	225	38	180



5"

规格	标准尺寸											单位: mm
K	L	A	B	C	D	E	F	G	H	I	J	
105	105	60	75	40	59	76	6	5	108	75	256	
120	120	70	85	50	69	86	6	5	122	85	280	
140	140	90	110	67	89	111	6	5	137	95	307	
160	160	100	120	80	99	121	6	5	154	117	398	
180	180	125	145	105	124	146	6	5	171	139	445	

*

30kg/cm ² G	40kg/cm ² G	-40	150
------------------------	------------------------	-----	-----

RC2-G-P

RC2-100G-P	2"	2"	RC2-710G-P	5"	4"
RC2-230G-P	4"	2-1/2"	RC2-790G-P	5"	4"
RC2-260G-P	4"	2-1/2"			
RC2-410G-P	4"	3"			
RC2-470G-P	4"	3"			

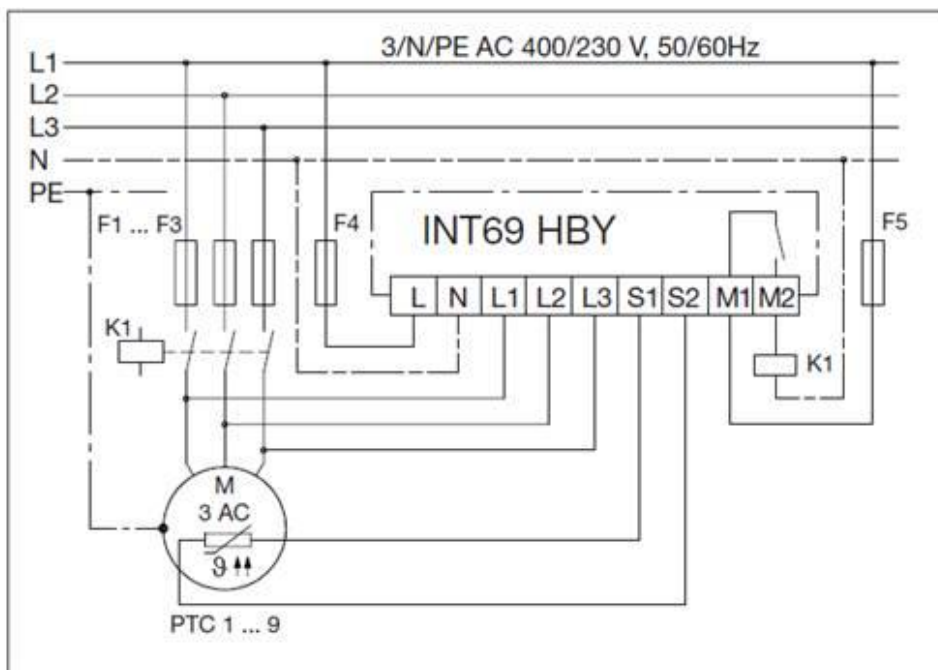
RC2-T-P

RC2-200T-P	2-1/2"	2"	RC2-510T-P	4"	3"
RC2-230T-P	3"	2-1/2"	RC2-550T-P	4"	3"
RC2-260T-P	3"	2-1/2"	RC2-580T-P	4"	3"
RC2-300T-P	3"	2-1/2"	RC2-620T-P	5"	4"
RC2-310T-P	3"	2-1/2"	RC2-710T-P	5"	4"
RC2-340T-P	4"	2-1/2"	RC2-790T-P	5"	4"
RC2-370T-P	4"	2-1/2"	RC2-830T-P	5"	4"
RC2-410T-P	4"	3"	RC2-930T-P	5"	4"
RC2-470T-P	4"	3"			

f. INT69HBY

INT69 HBY Diagnose

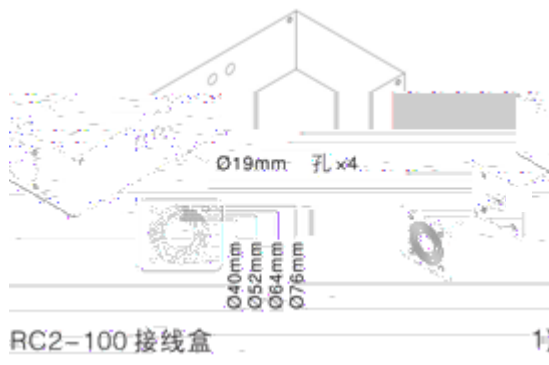
- 3
-
- 1s 5s
- 20
- LED /_/_/
- /
- PTC
-
- N/O
-
-
- AC50/60HZ115-240V±10%
- PTC to DIN 44081/082



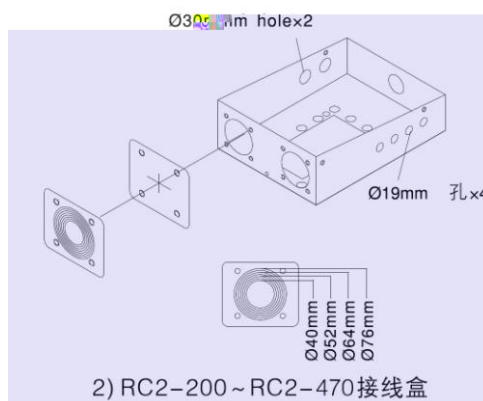
g. IP54

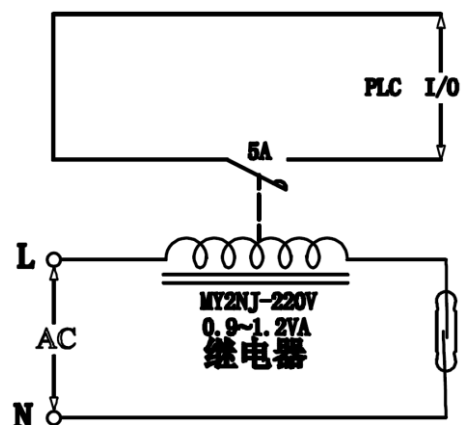
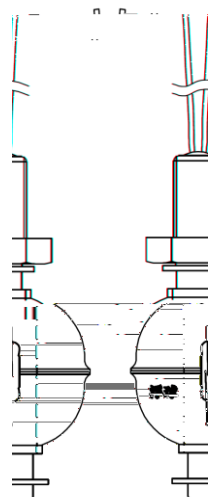
IP54

1) RC2-100



2) RC2-200 RC2-470

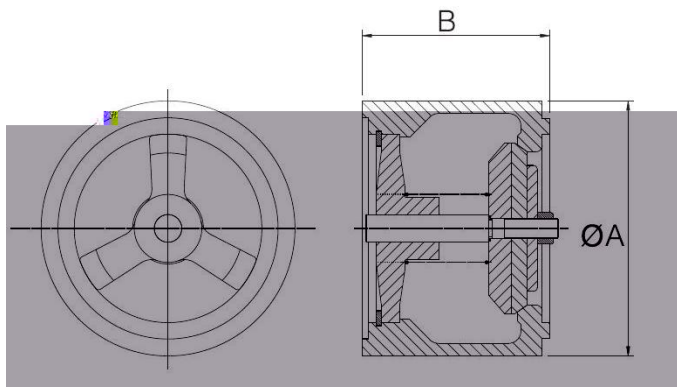




j.

RC2-P

NO	mm	
	A	B
1-1/2"	86	80.5
2"	102	85
2-1/2"	122	96
3"	138	108
4"	163	123
5"	203	150



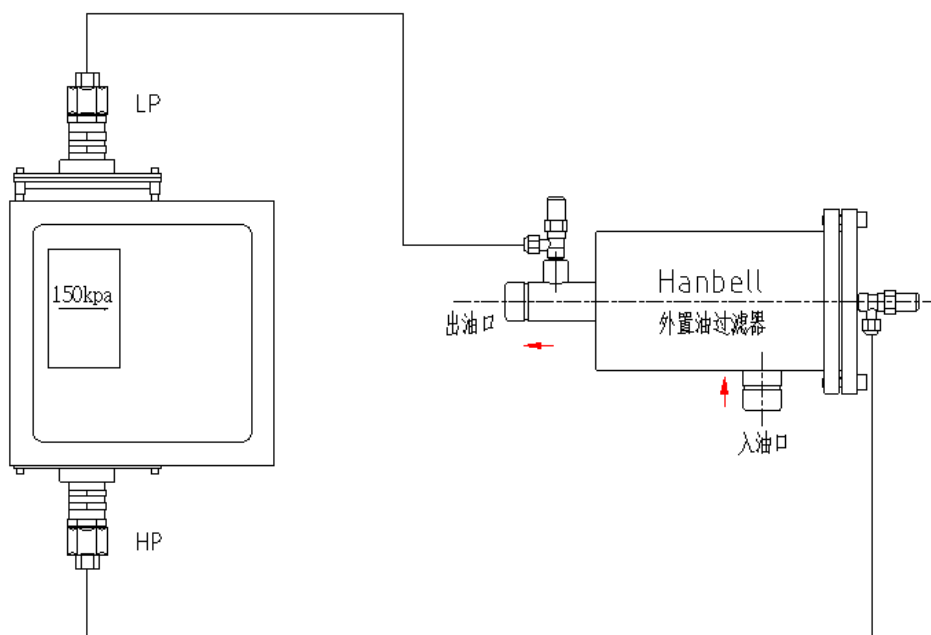
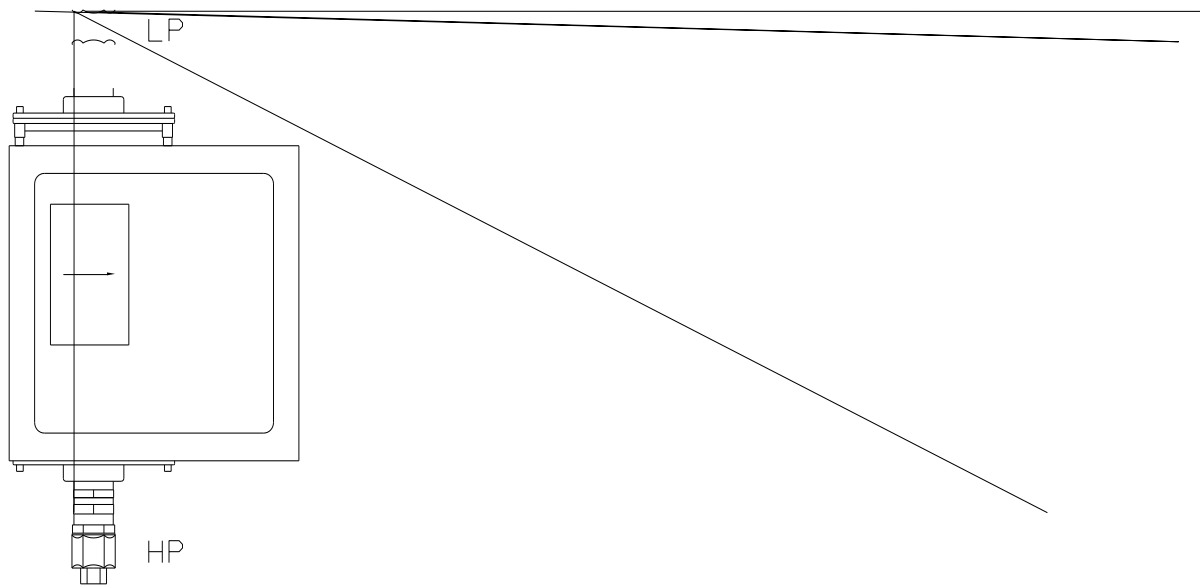
k.

HP

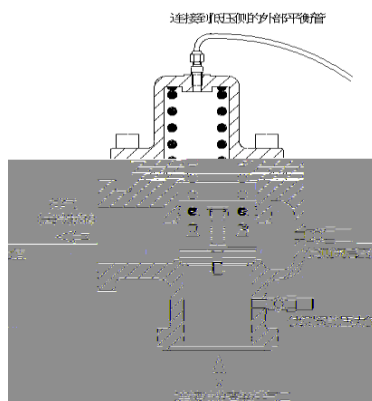
1.5bar

LP

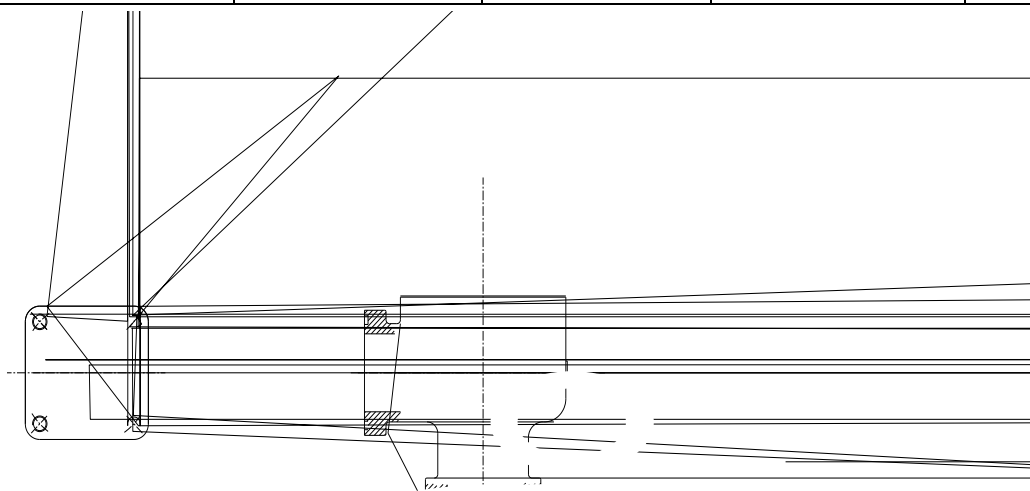
OFF



1.



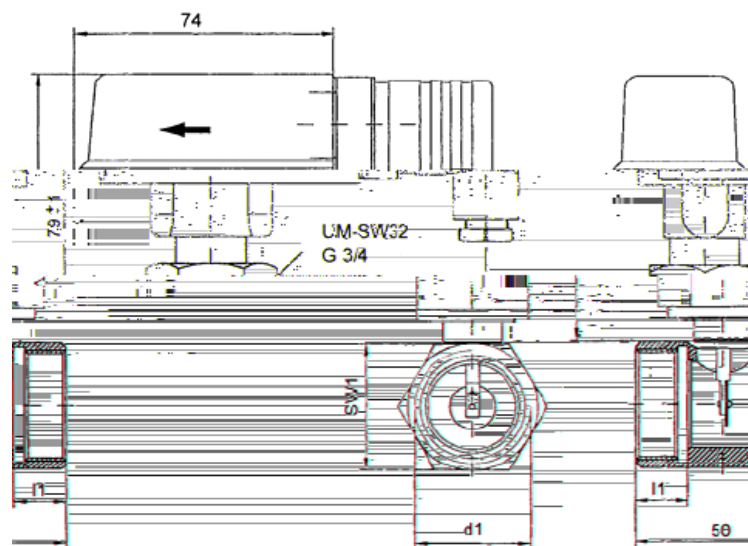
1.5"	3.6±0.3Bar	30Bar	<150	<0.1Bar
2"				
2.5"				
3"				
4"				
5"				
6"				



m.

&

n.



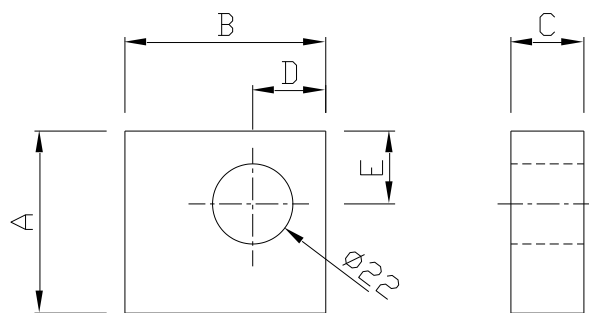
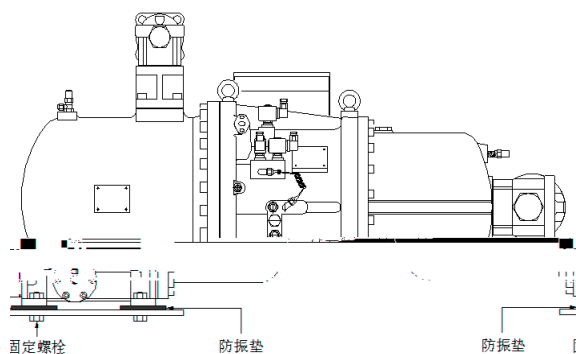
Version: 82±1

Stainless steel v

		d1	L/min	L/min	L/min	L1	SW1		
							mm		
VHS 15M	DN15	1/2" BSP	3.4...4.2	3.0...3.8	67	11	19	27	RC2-100
VHS 20M	DN20	3/4" BSP	7.0...9.1	6.4...8.2	180	15	27	32	RC2-200~RC2-930

o.

20 30N m



	A(mm)	B(mm)	C(mm)	D(mm)	E(mm)	
1	50	55	20	20	20	RC2-100~RC2-370
2	70	100	20	25	25	RC2-410~RC2-620
3	80	100	20	25	25	RC2-710~RC2-930

/ RC2

RC2

10mm²/s

RC2-G/T



7.1

HANELL



HANBELL

7.2

1.

2. RC2-G/T

3.

4.

HANBELL

7.3

1. 10000

2000

20000

4

2.

8.1

Hanbell

Hanbell

8.1.1

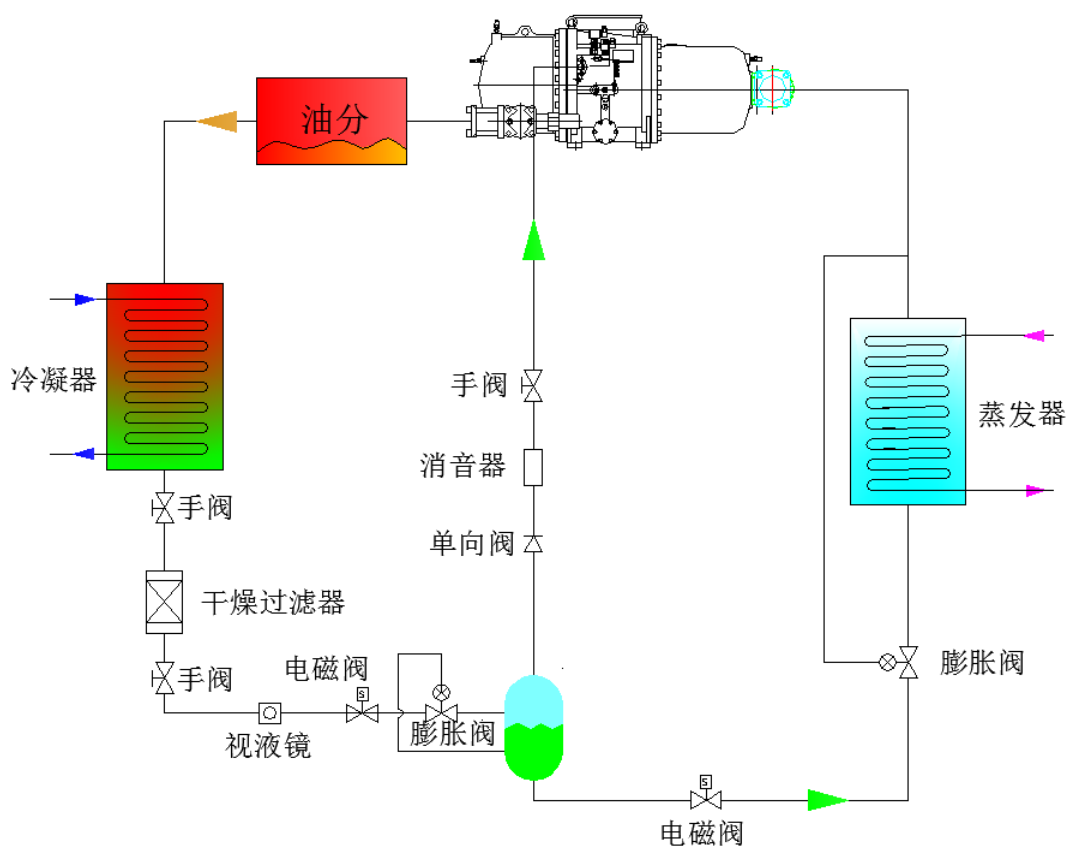
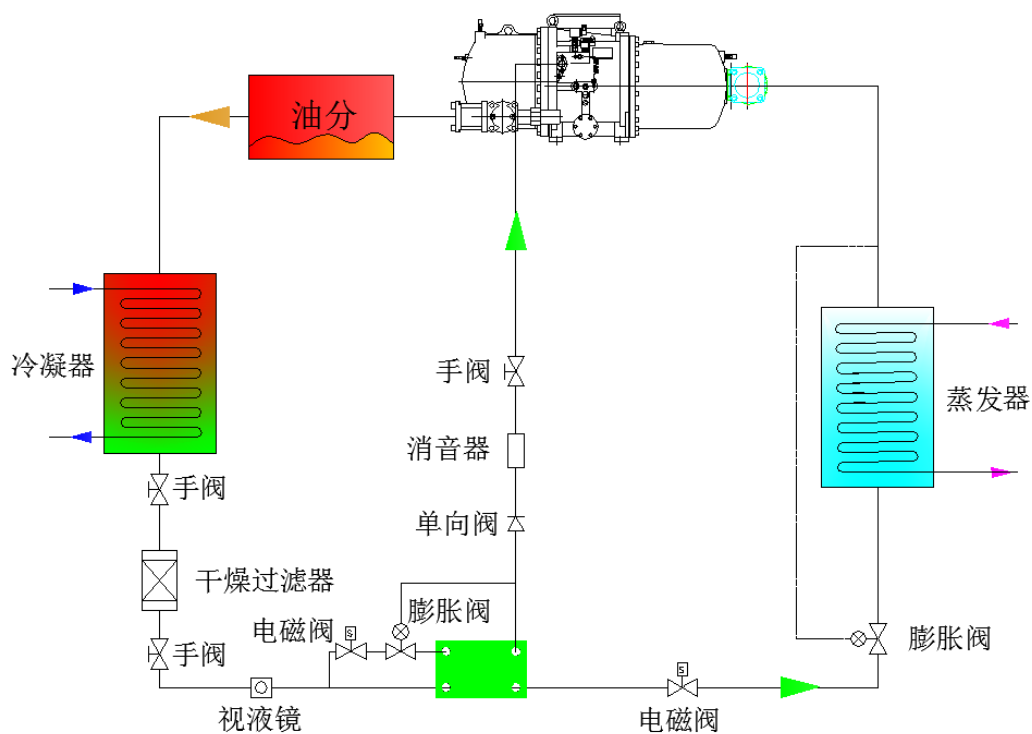
8.1.2

8.1.3

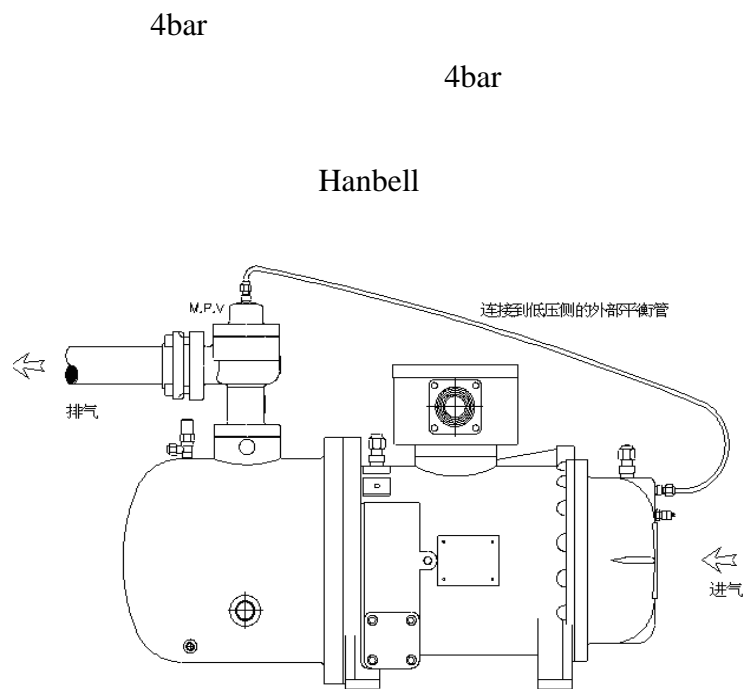


1.

2. HANBELL



8.2



8.3

8.3.1

1. 100%
- 2.
3. 0.5bar
- 4.
- 5.

8.3.2

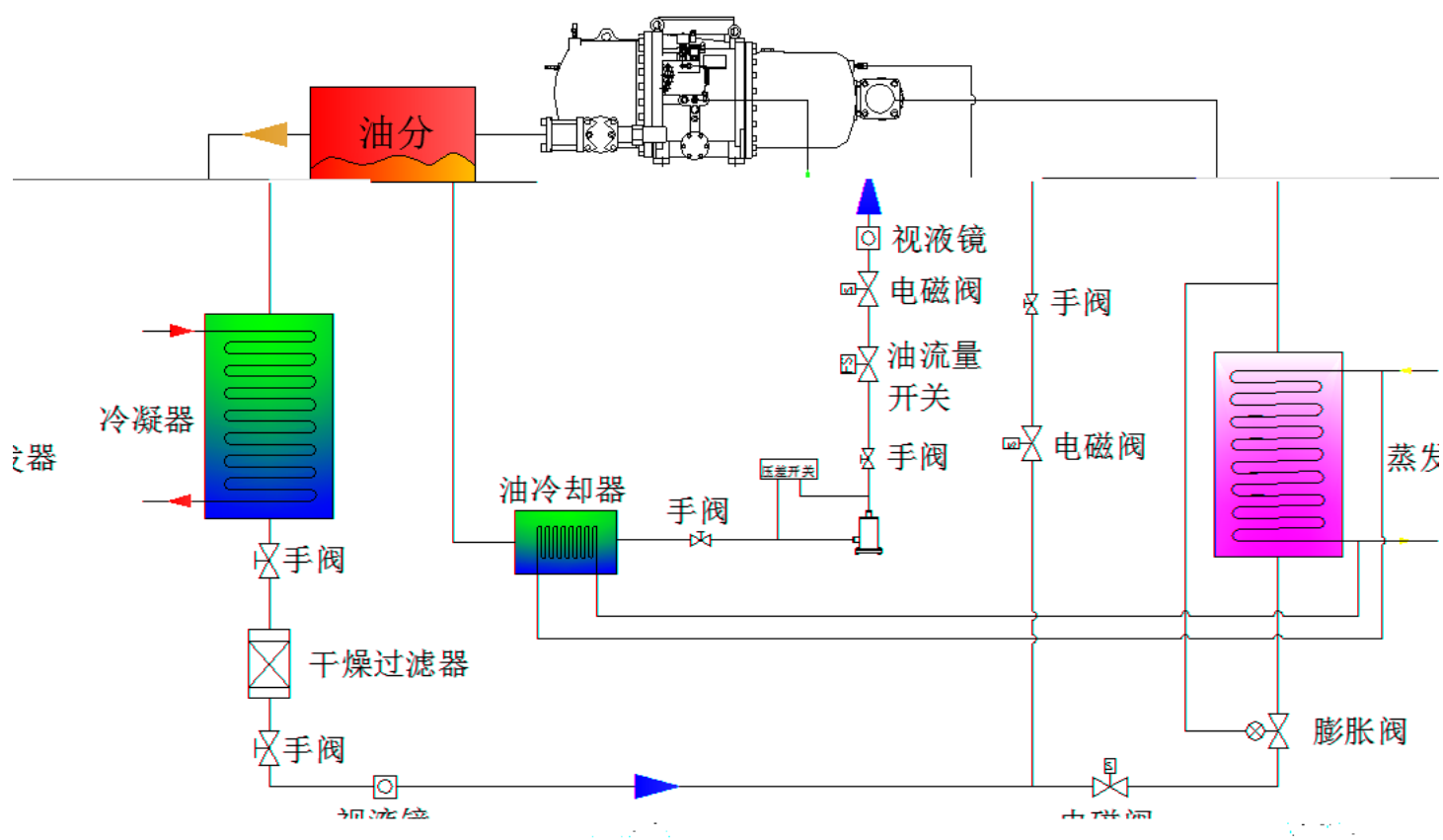
50%

9.1



HANBELL

1bar



9.2

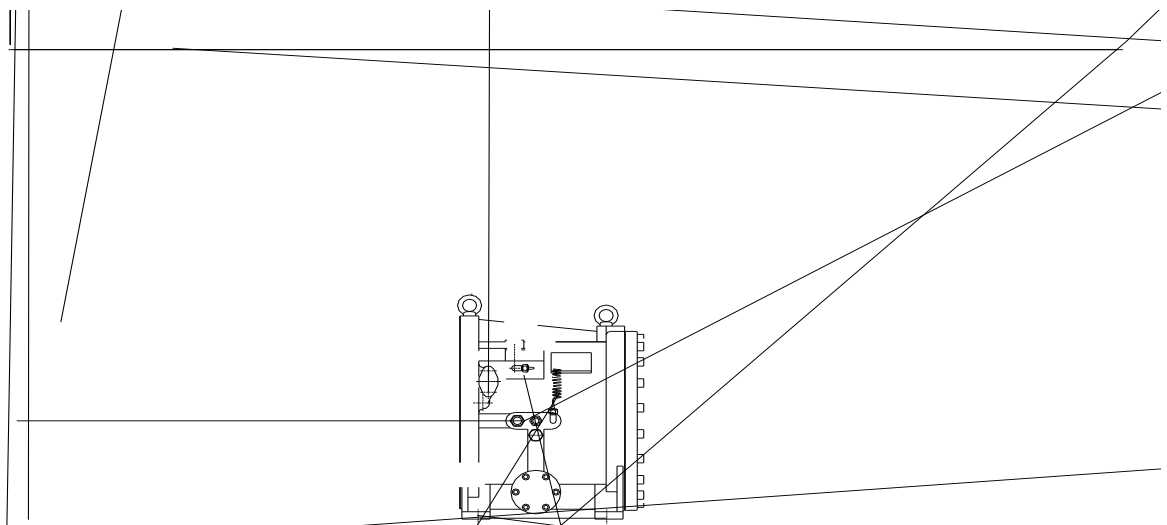
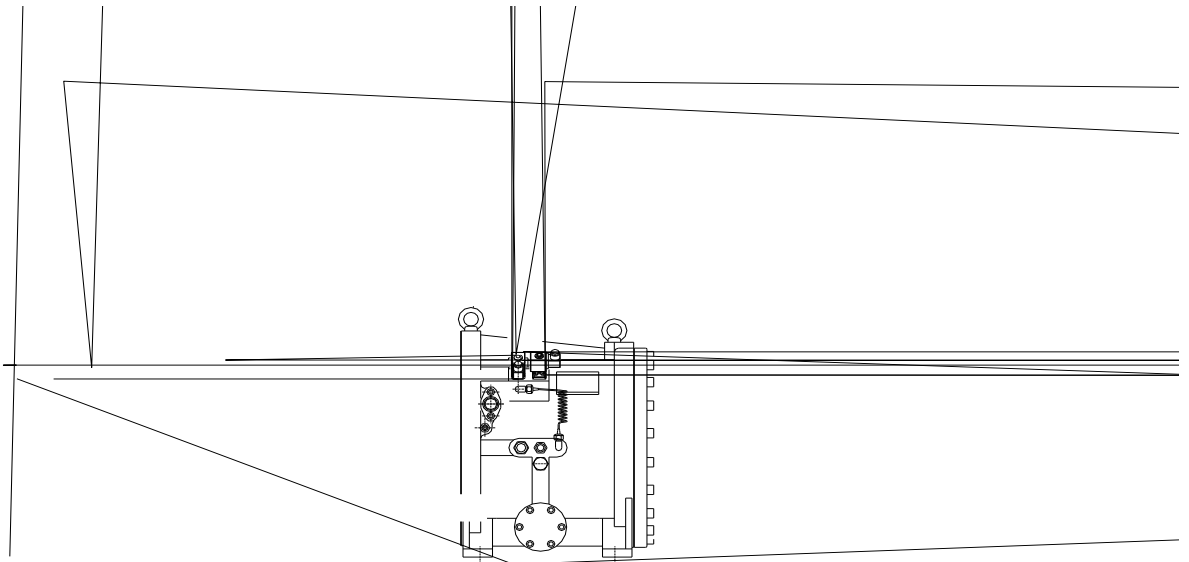
RC2-G/T

R245fa	R134a	75		Hanbell
	Hanbell	PT100	PT100	
RC2-G-P	R134a	PT100	90	80
RC2-T-P	R245fa	PT100	120	110

10.1

10.1.1

2



10.1.2

1.

2.

3.

4.

10.1.3

Hanbell



10.1.4

-15 +50

10.1.5

R134a/ R245fa 5 K

10.1.6

/ 12.5 / 29.5 bar

GB/T 19410

10.1.7

25% 33%

10.1.8

5 6 RC2-620 4

10.1.9

1.	1. 2. 3.	1. 2. 3.
2.	1. 2. 3. 4. 5. 6.	1. 5% 10% 2. 220V ±10% 3. 5MΩ 4. 5. 6.

3.	1. 2. 3.	1. 2. 3.
4.	1. PTC 2. PTC() 3. 4. PT100 5. PT100	1. 2. 3. 4.

a)

b)

c)

d)

e) 0.5-1



f)

g)

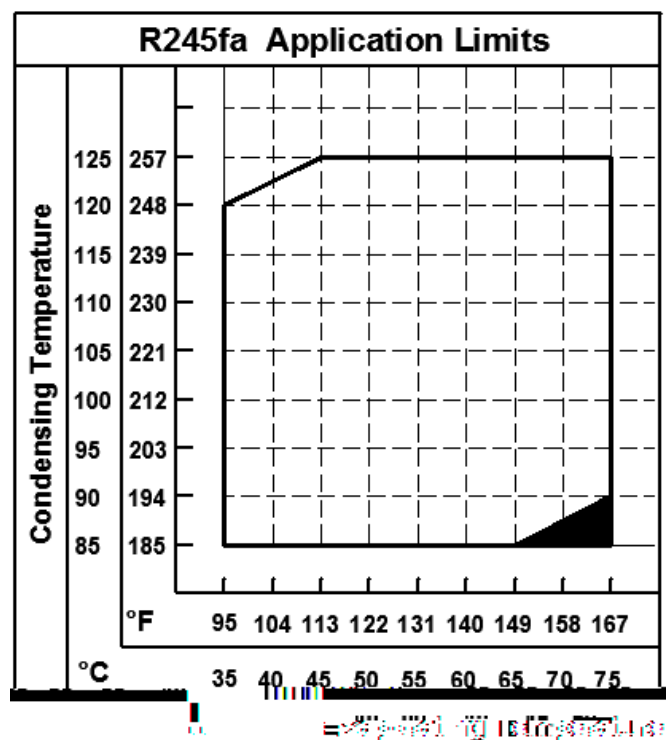
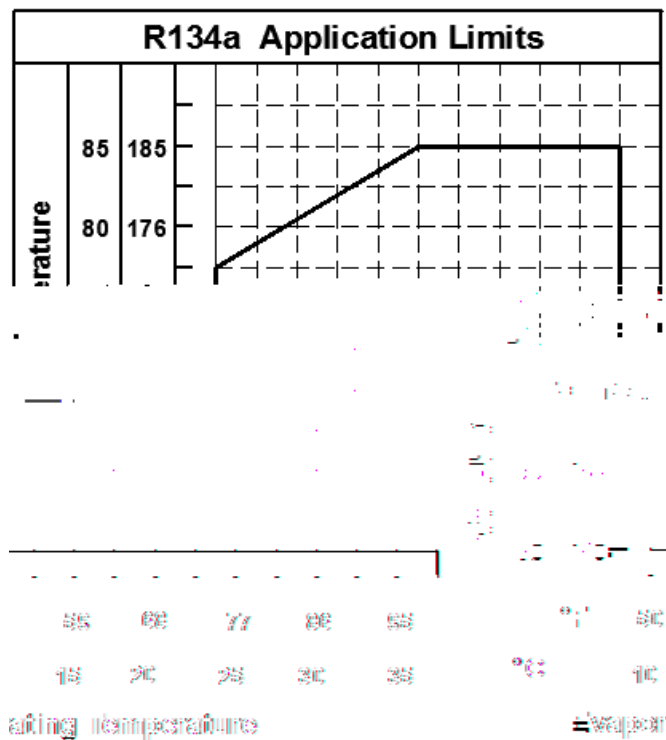
h)

R245fa

5K

5K

R134a



1.

2.

(1)

(2)

(3)

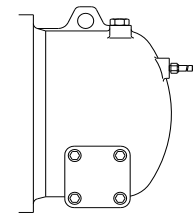
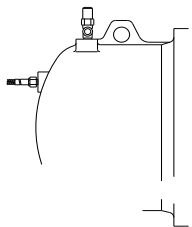
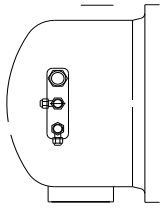
HANBELL

1

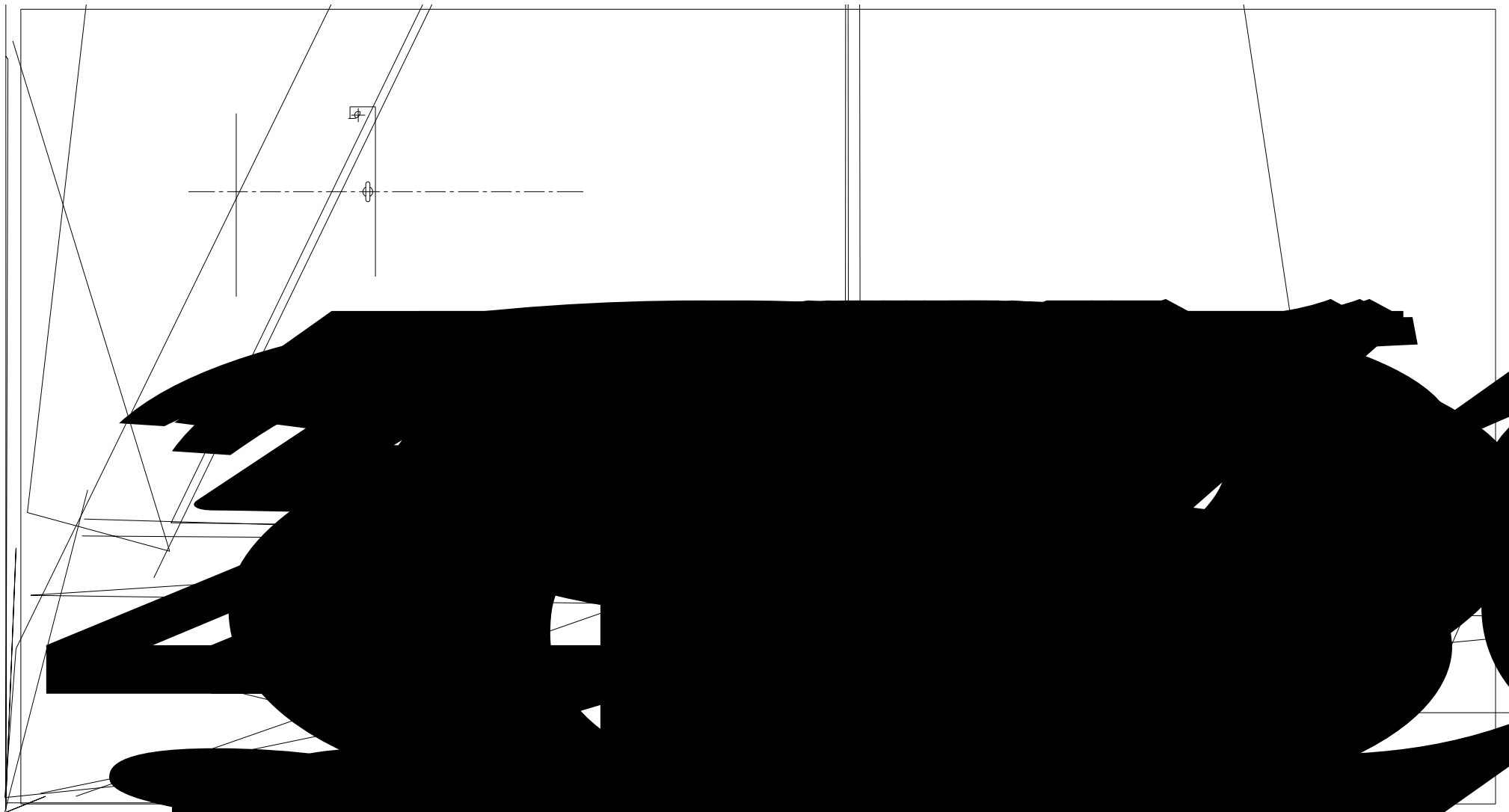
2

3. HANBELL

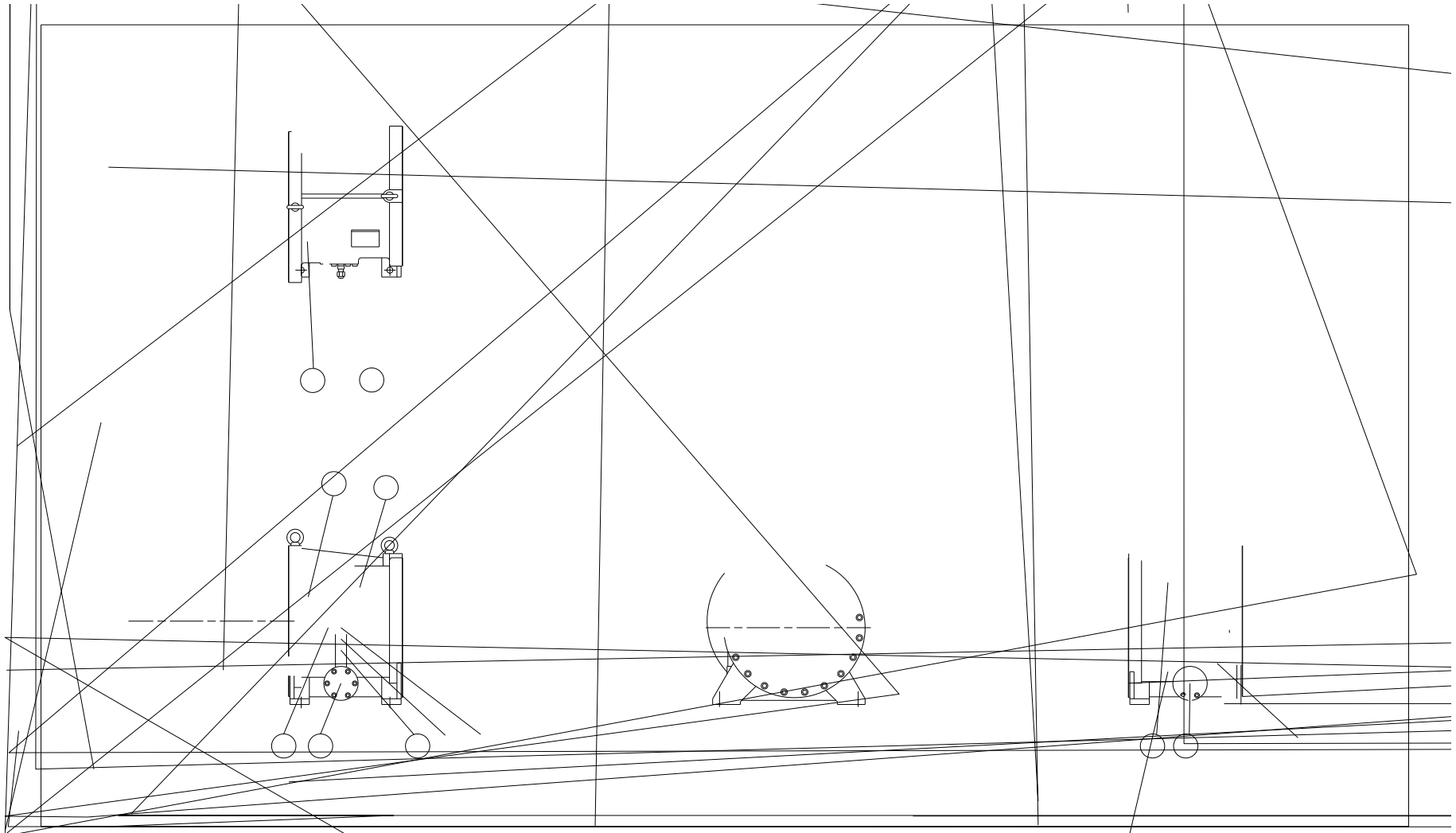
RC2-100G



RC2-230G~470G

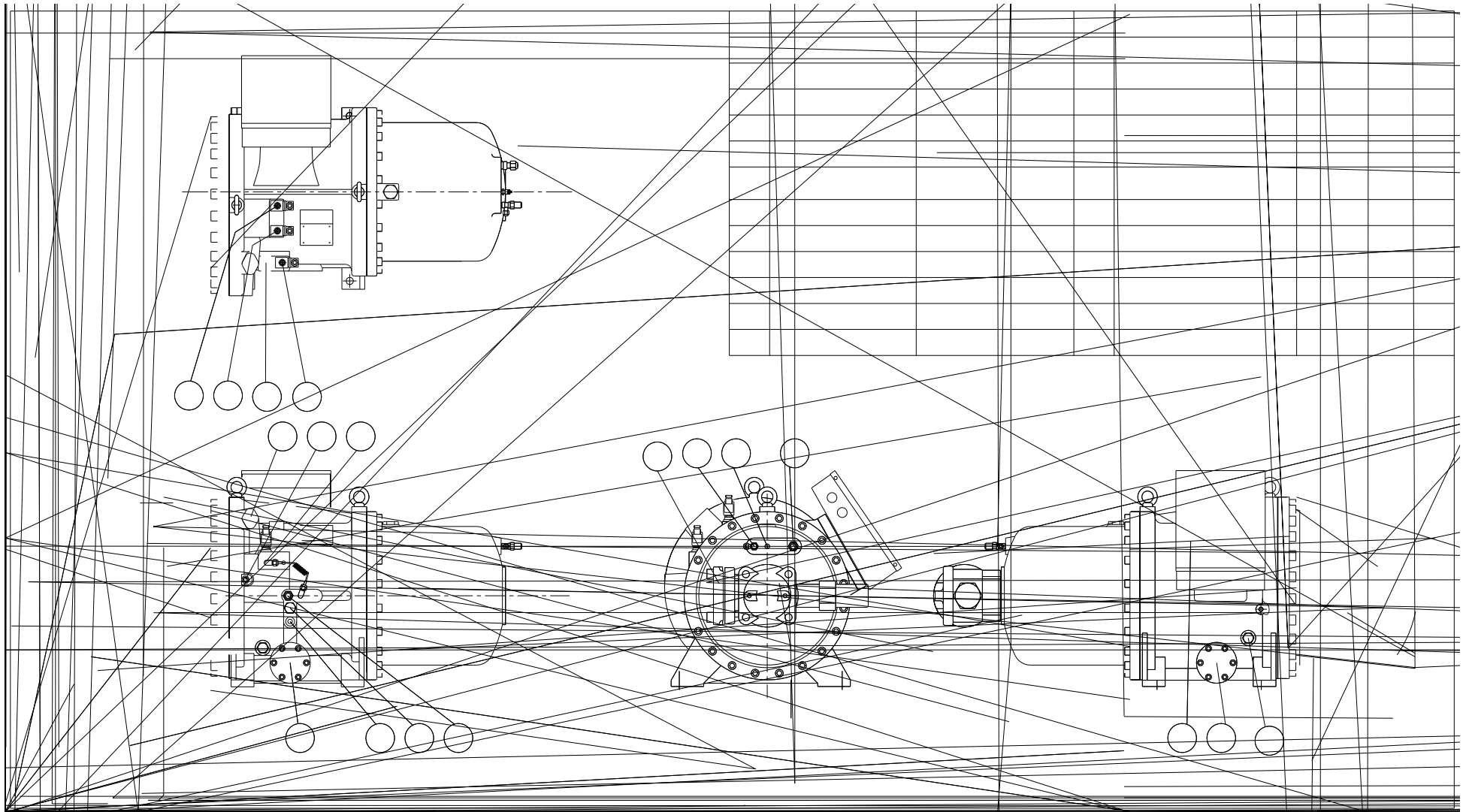


RC2-710G~790G

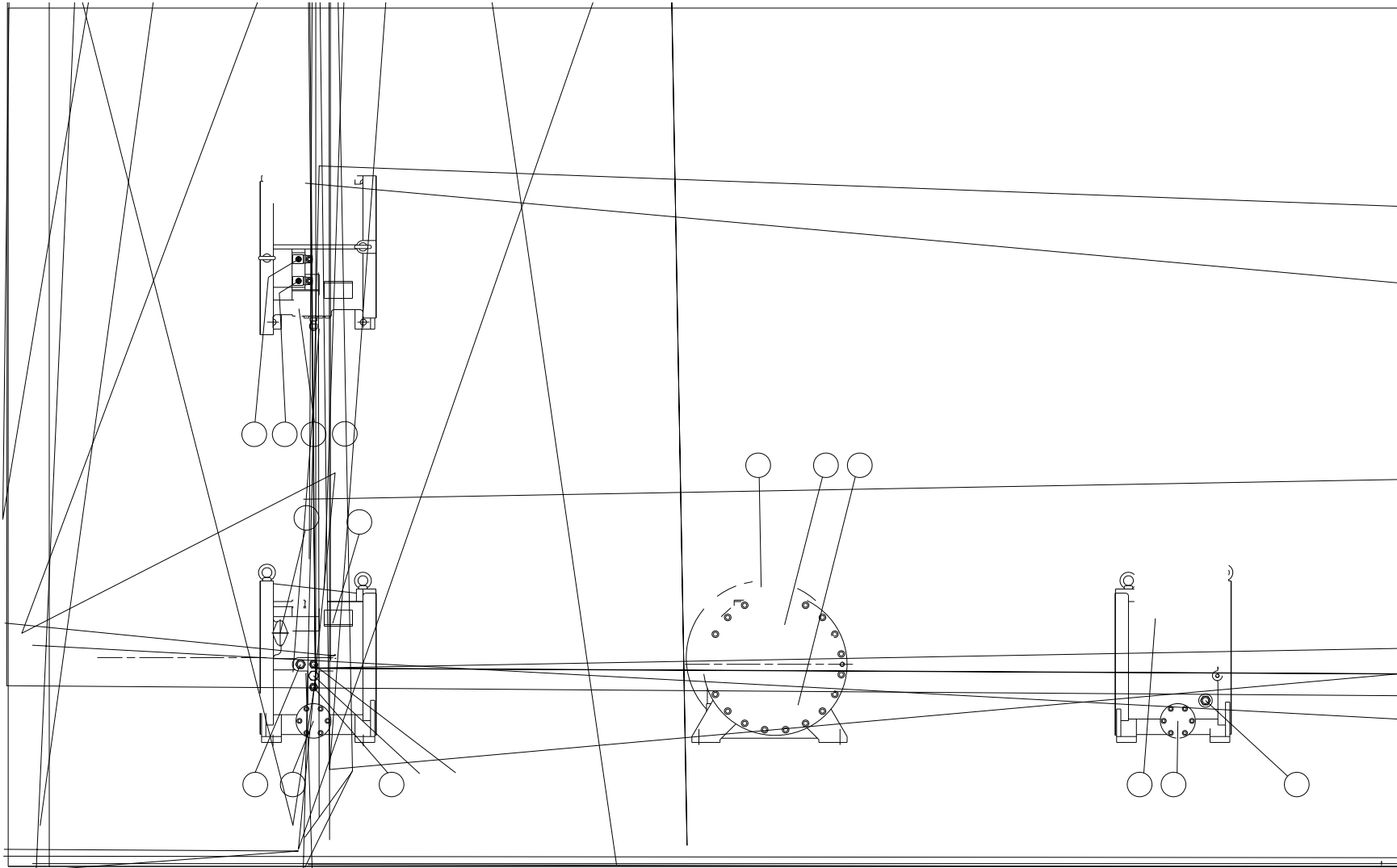


	RC2-230G~790G									
	A	B	C	D	E	F	G	H	I	J

RC2-200T~620T



RC2-620T~930T



	RC2-200T-P~620T-P(RC2-620)																		
	A	B	C	D	E	F	G	H	I	J	K	L	M	N	O	P	Q	R	S
RC2-200T-P	1188	375	283	103	188	408	228	386	82	225	135	225	225	96	592	362	51	48	18
RC2-230T-P RC2-260T-P	1300	400	326	118	241	452	251	399	97	257	169	240	240	107	622	386	55	48	18
RC2-300T-P	1379	400	326	118	241	452	285	444	97	257	169	240	240	107	622	386	55	48	18
RC2-310T-P	1352	400	326	118	241	452	251	444	97	257	169	240	240	107	622	386	55	48	18
RC2-340 T-P RC2-370T-P	1452	400	326	118	241	452	285	492	103	257	169	240	240	132	622	386	55	48	18
RC2-410T-P	1463	448	365	122	277	517	288	433	103	275	220	270	230	132	652	408	70	100	22
RC2-470T-P	1541	448	365	122	277	517	320	478	103	275	220	270	230	132	652	408	70	100	22
RC2-510T-P	1515	490	365	122	277	517	288	484	103	275	220	270	230	132	638	450	70	100	22
RC2-550T-P	1593	490	365	126	272	512	320	536	103	280	220	270	230	132	642	450	70	100	22
RC2-580T-P	1534	490	365	122	277	517	320	484	103	275	220	270	230	132	638	450	70	100	22
RC2-620T-P	1819	490	379	140	331	615	320	525	220	280	251	270	230	161	642	450	70	100	22

	A	B	C	D	E	F	G	H	I	J	K	L	M	N	O	P	Q	R
--	---	---	---	---	---	---	---	---	---	---	---	---	---	---	---	---	---	---

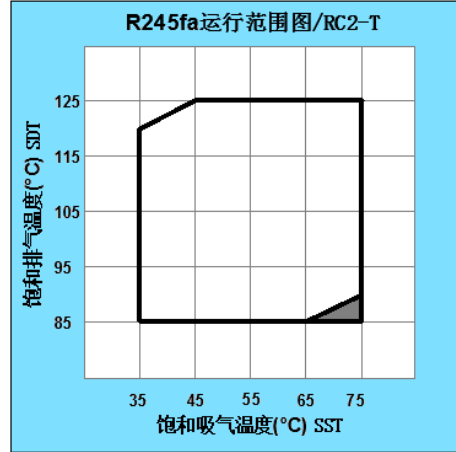
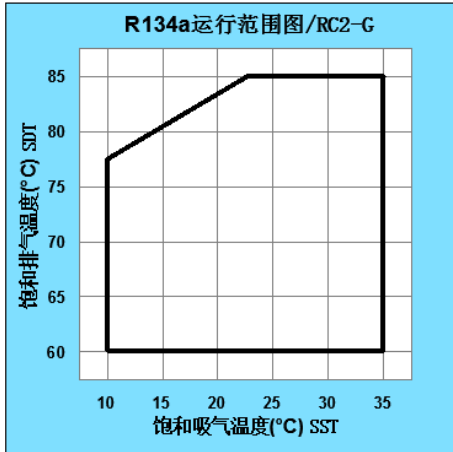
RC2-100G-P~790G-P

RC2-100G-P	2"	Φ55	Φ61.3	2"	Φ55	Φ61.3	5/8"	16.1	3/8"Flare 9.7	3/8"Flare 9.7	3/8"Flare 9.7
RC2-230G-P	2-1/2"	Φ68	Φ77.2	4"	Φ93	Φ110	5/8"	16.1	5/8"Flare 16	3/8"Flare 9.7	5/8"Flare 16
RC2-260G-P	2-1/2"			4"			5/8"	16.1	5/8"Flare 16	3/8"Flare 9.7	5/8"Flare 16
RC2-410G-P	3"	Φ80.5	Φ90.2	4"			7/8"	22.4	5/8"Flare 16	3/8"Flare 9.7	5/8"Flare 16
RC2-470G-P	3"			4"			7/8"	22.4	5/8"Flare 16	3/8"Flare 9.7	5/8"Flare 16
RC2-710G-P	4"	Φ93	Φ110	5"	Φ106	Φ135	1-1/8"	28.8	3/4"Flare 19.2	3/8"Flare 9.7	5/8"Flare 16
RC2-790G-P	4"			5"			1-1/8"	28.8	3/4"Flare 19.2	3/8"Flare 9.7	5/8"Flare 16

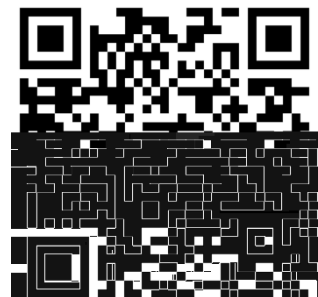
RC2-200T-P~930T-P

RC2-200T-P	2"	Φ55	Φ61.3	2-1/2"	Φ68	Φ77.2	5/8" 16.1	5/8"Flare 16	3/8"Flare 9.7	5/8"Flare 16
RC2-230T-P	2-1/2"	Φ68	Φ77.2	3"	Φ80.5	Φ90.2	5/8" 16.1	5/8"Flare 16	3/8"Flare 9.7	5/8"Flare 16
RC2-260T-P	2-1/2"			3"			5/8" 16.1	5/8"Flare 16	3/8"Flare 9.7	5/8"Flare 16
RC2-300T-P	2-1/2"			3"			7/8" 22.4	5/8"Flare 16	3/8"Flare 9.7	5/8"Flare 16
RC2-310T-P	2-1/2"			3"			7/8" 22.4	5/8"Flare 16	3/8"Flare 9.7	5/8"Flare 16
RC2-340T-P	2-1/2"			4"			7/8" 22.4	5/8"Flare 16	3/8"Flare 9.7	5/8"Flare 16
RC2-370T-P	2-1/2"			4"			7/8" 22.4	5/8"Flare 16	3/8"Flare 9.7	5/8"Flare 16
RC2-410T-P	3"	Φ80.5	Φ90.2	4"	Φ93	Φ110	7/8" 22.4	5/8"Flare 16	3/8"Flare 9.7	5/8"Flare 16
RC2-470T-P	3"			4"			7/8" 22.4	5/8"Flare 16	3/8"Flare 9.7	5/8"Flare 16
RC2-510T-P	3"			4"			7/8" 22.4	5/8"Flare 16	3/8"Flare 9.7	5/8"Flare 16
RC2-550T-P	3"			4"			1-1/8" 28.8	5/8"Flare 16	3/8"Flare 9.7	5/8"Flare 16
RC2-580T-P	3"			4"			7/8" 22.4	5/8"Flare 16	3/8"Flare 9.7	5/8"Flare 16
RC2-620T-P	4"			Φ93			Φ110	5"	Φ106	Φ135
RC2-710T-P	4"	5"	1-1/8" 28.8		3/4"Flare 19.2	3/8"Flare 9.7		5/8"Flare 16		
RC2-790T-P	4"	5"	1-1/8" 28.8		3/4"Flare 19.2	3/8"Flare 9.7		5/8"Flare 16		
RC2-830T-P	4"	5"	1-1/8" 28.8		3/4"Flare 19.2	3/8"Flare 9.7		5/8"Flare 16		
RC2-930T-P	4"	5"	1-1/8" 28.8		3/4"Flare 19.2	3/8"Flare 9.7		5/8"Flare 16		

B



.z=TM=TMD



+Dô@š(

.z,P> ?!



TEL: 021-57350280 FAX: 021-51368588
 专 : 4007702158
 : 201501
 http: //www.hanbell.com.cn

006°,÷L;B
 +yD Ú006°;1)Á9 9 B 9 5 KZ2 /&4K, U i.>0*8TA -¼ 4 /&5
 +~/Ñ ÉTEL ÉÚ0531-55616898 *CEC‡ FÉX ÉÚ0531-55616800

6°2 ,÷L;B
 +yD Ú6°2 ;11N689 2É,Á9 -,AÁ5 /&4K, U i.>0*8TA -¼ 6 ,
 +~/Ñ ÉTEL ÉÚ025--52078091/2

TEL ÉÚ020-34721075 *CEC‡ FÉX ÉÚ020-34723325

D99 ,÷L;B
 +yD ID99 ;16°—9)IB'¿É9 B 5NB /&, (_EA B'